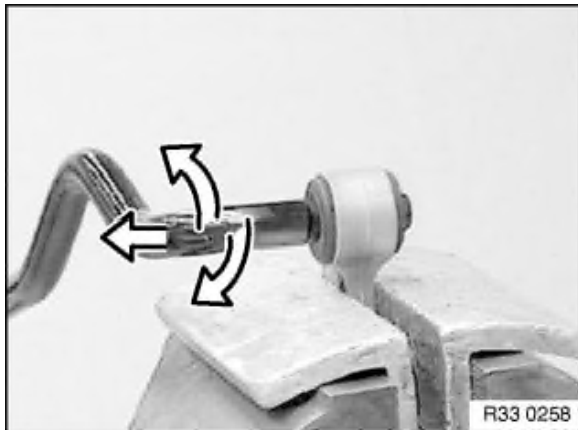
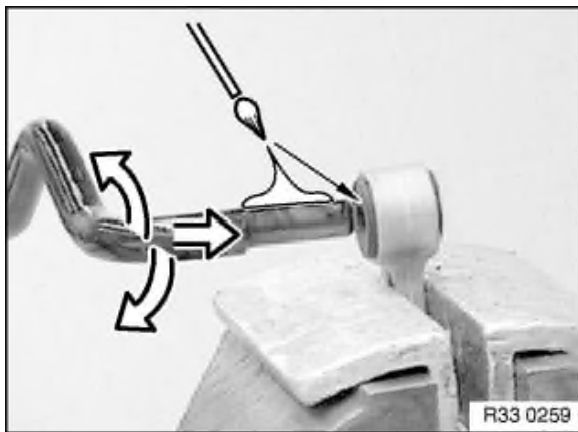


Remove stabilizer bar.



Clamp stabilizer link in vice with protective vice jaws and pull off stabilizer bar with rotary motions.

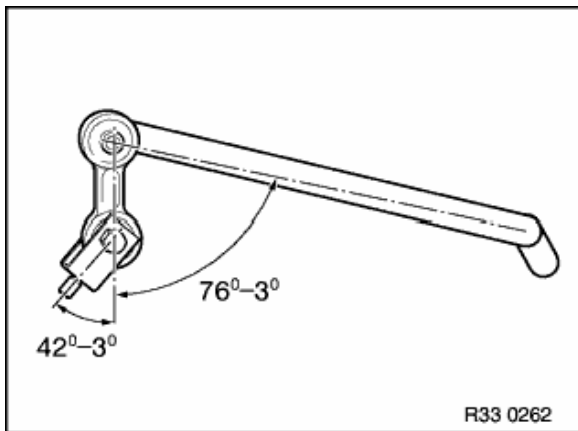
If rubber mount remains on stabilizer bar, cut through rubber mount with knife and pull off.



Clamp new stabilizer link in vice with protective vice jaws.

Moisten end of stabilizer bar and rubber mount inside with Circolight mounting agent, refer to BMW Parts Service.

Press stabilizer bar as far as possible into stabilizer link with rotary motions.



Immediately rotate stabilizer link into illustrated angular position to stabilizer bar. Once mounting agent has evaporated, stabilizer link can no longer be rotated.